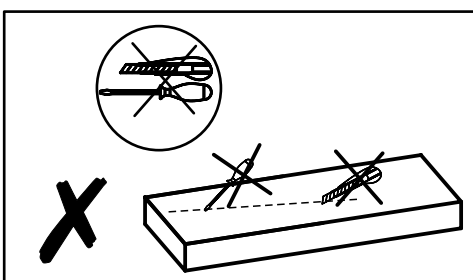
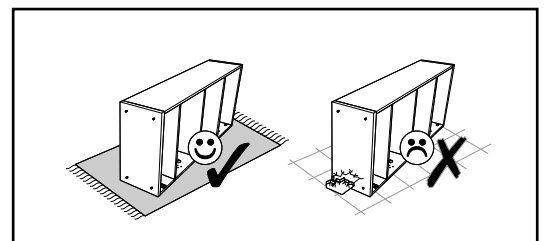
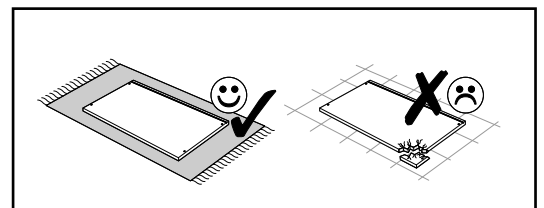
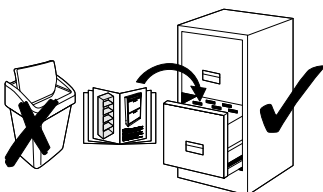
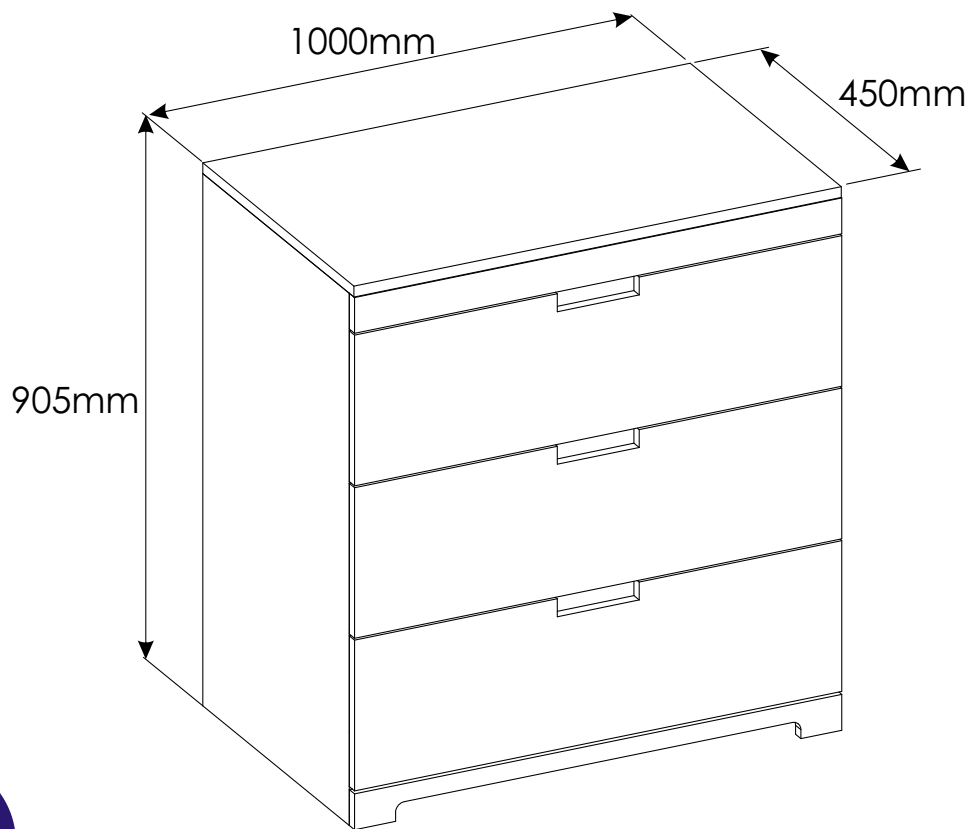
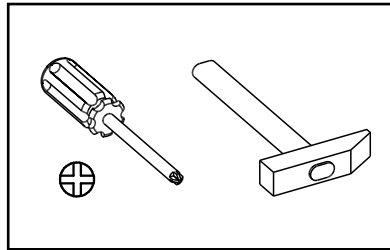
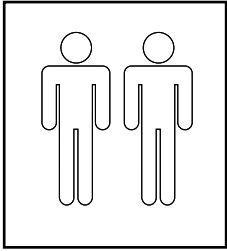
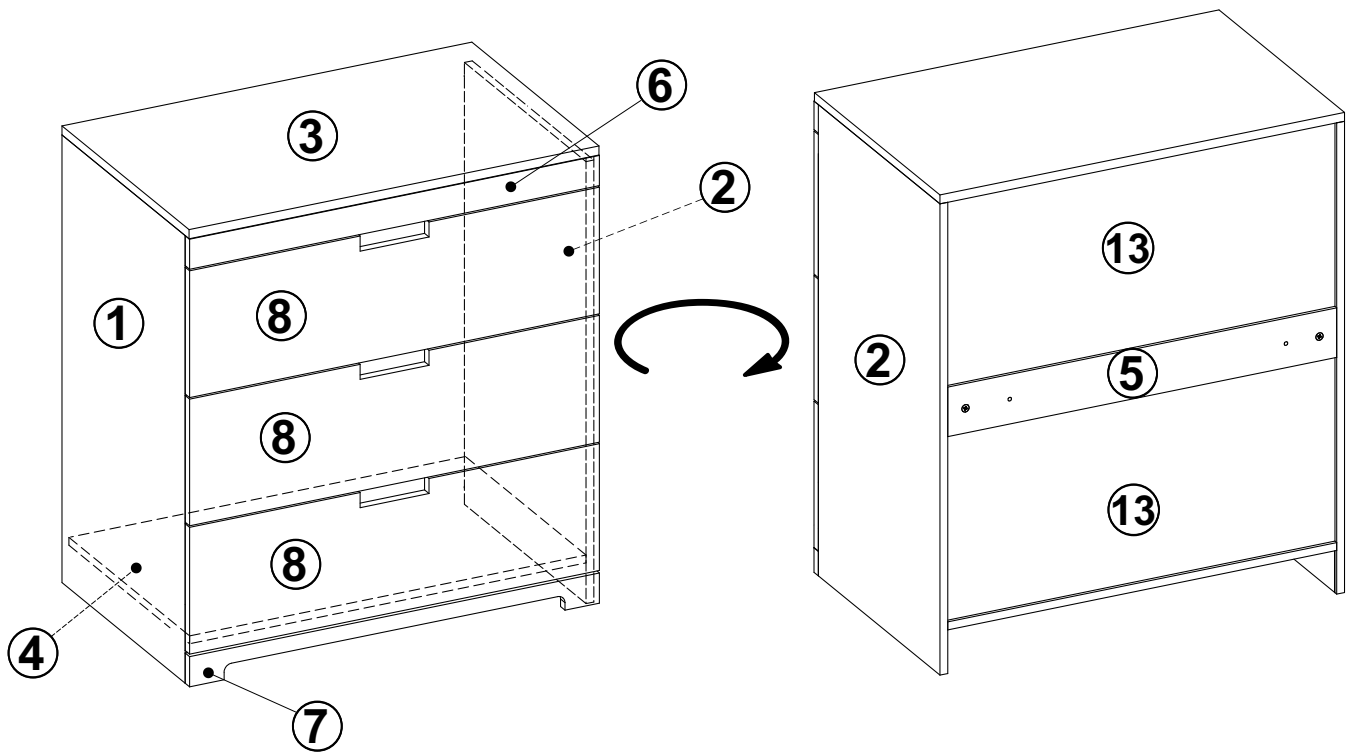
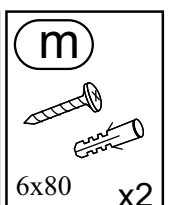
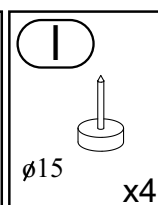
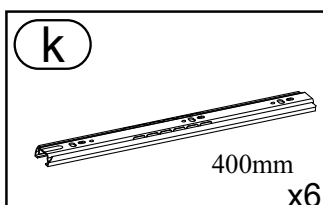
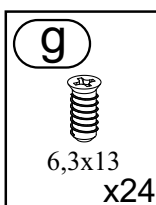
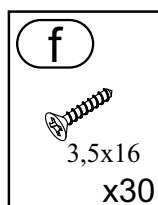
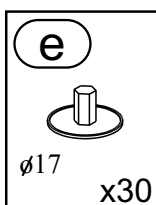
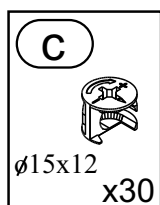
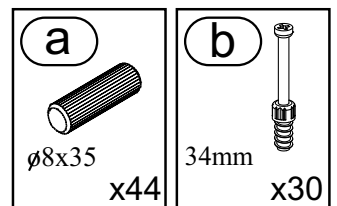
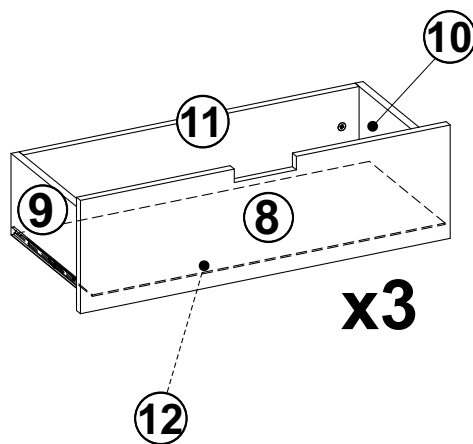


TOMI

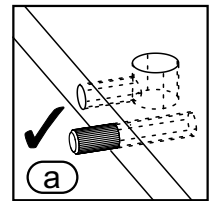
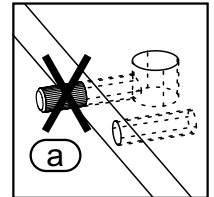
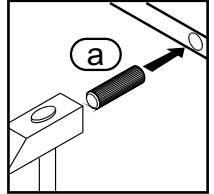
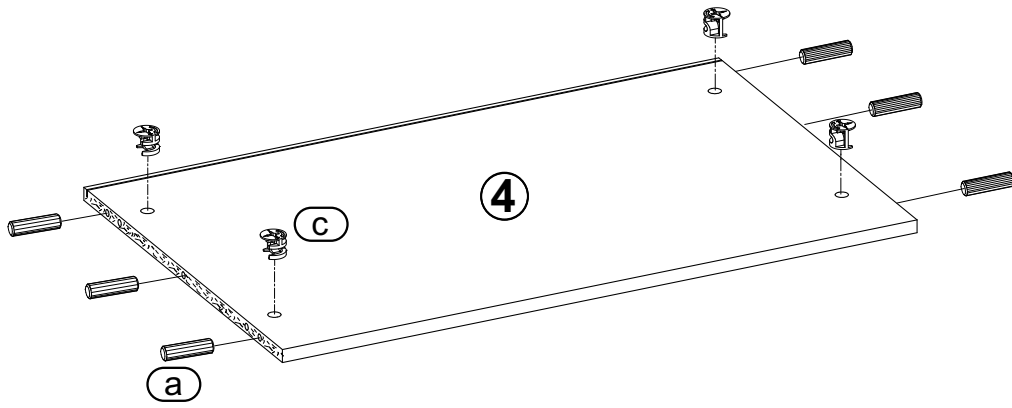
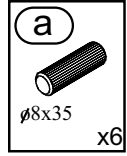
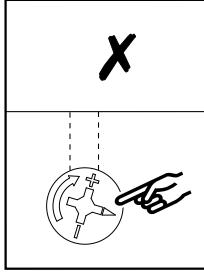
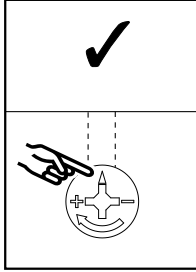
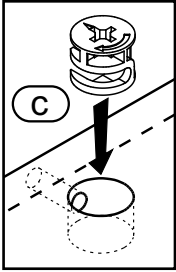




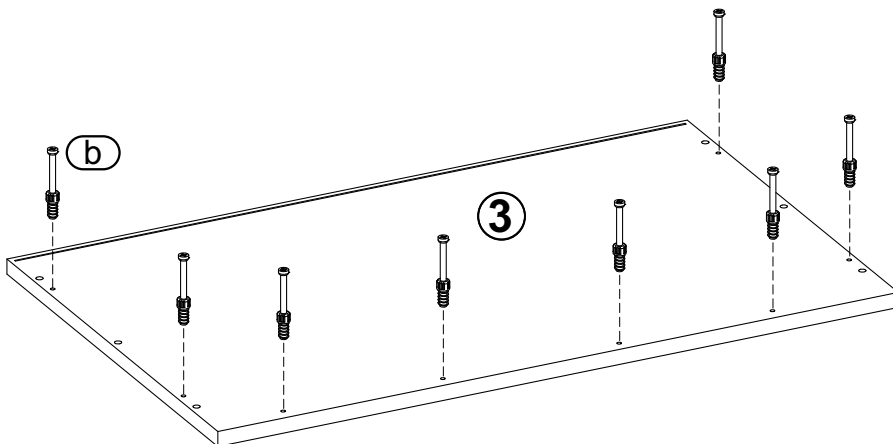
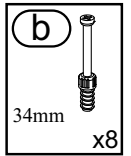
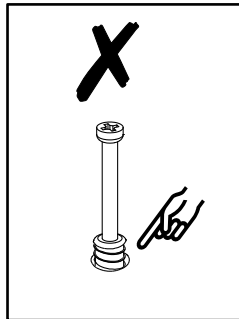
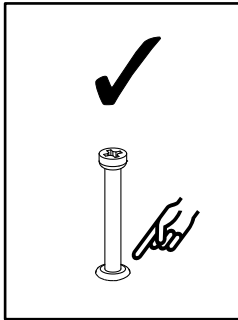
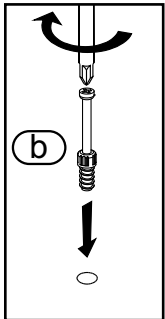
①	882x430	1	2/2
②	882x430	1	2/2
③	1000x450	1	2/2
④	960x430	1	2/2
⑤	960x100	1	2/2
⑥	994x60	1	1/2
⑦	994x60	1	1/2
⑧	994x249	3	1/2
⑨	400x200	3	1/2
⑩	400x200	3	1/2
⑪	898x200	3	1/2
⑫	916x398	3	2/2
⑬	974x373	2	2/2



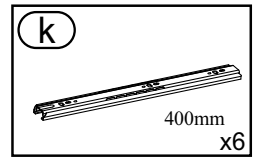
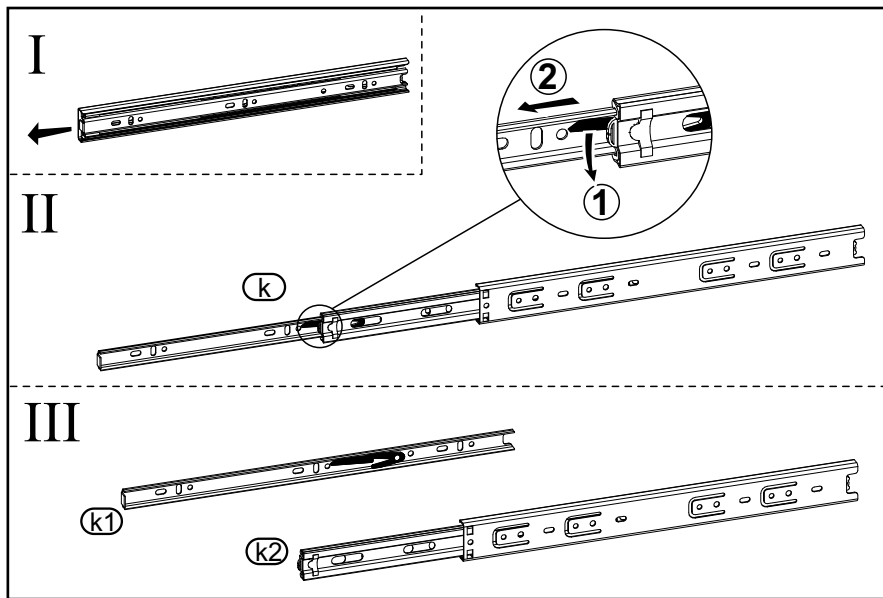
1



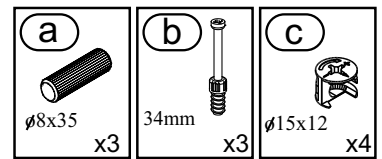
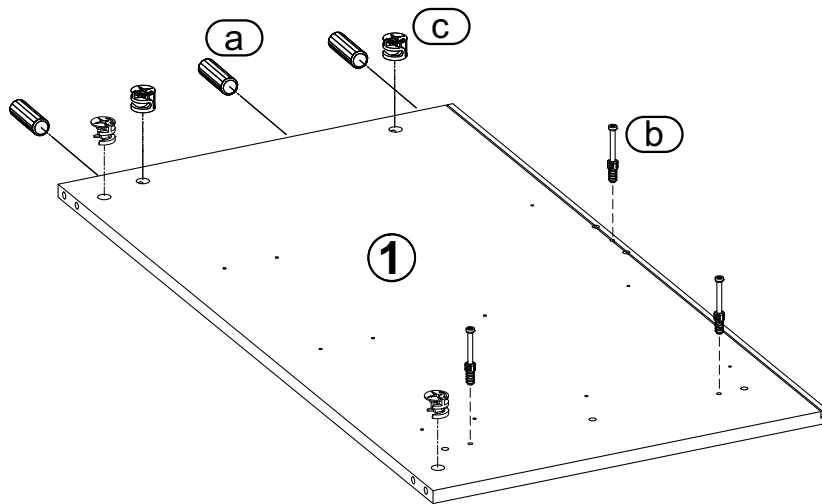
2



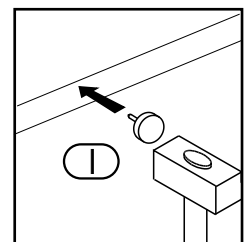
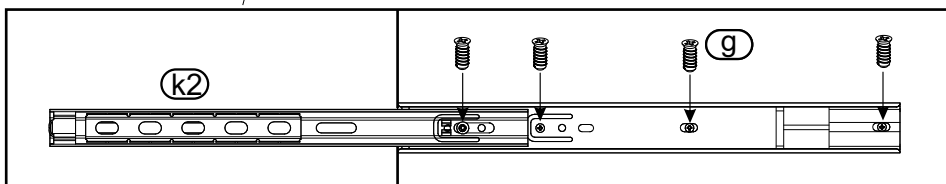
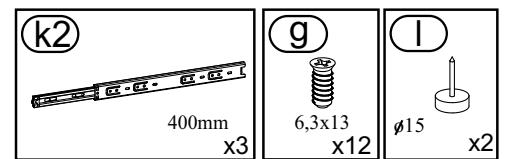
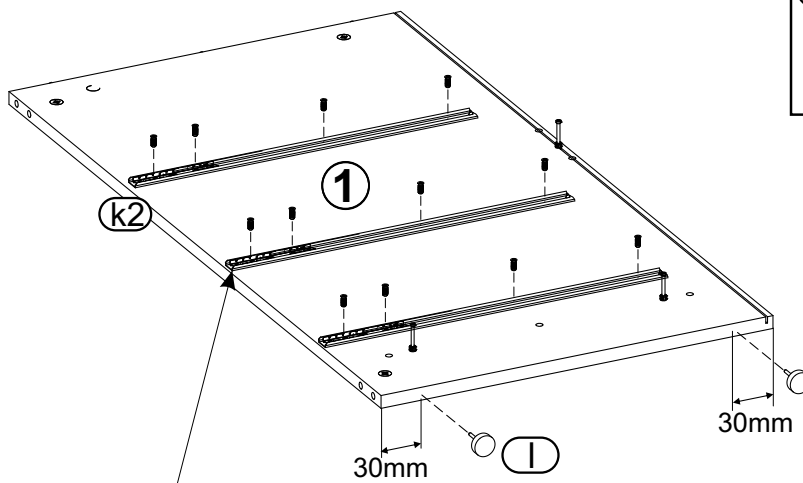
3



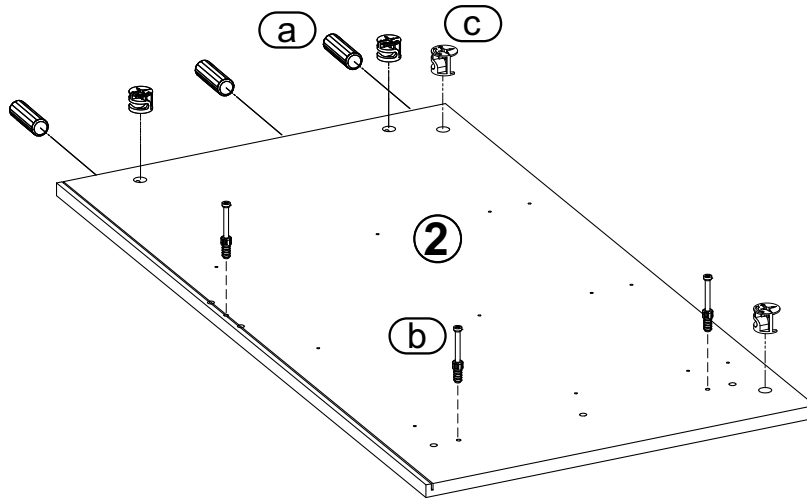
4



5

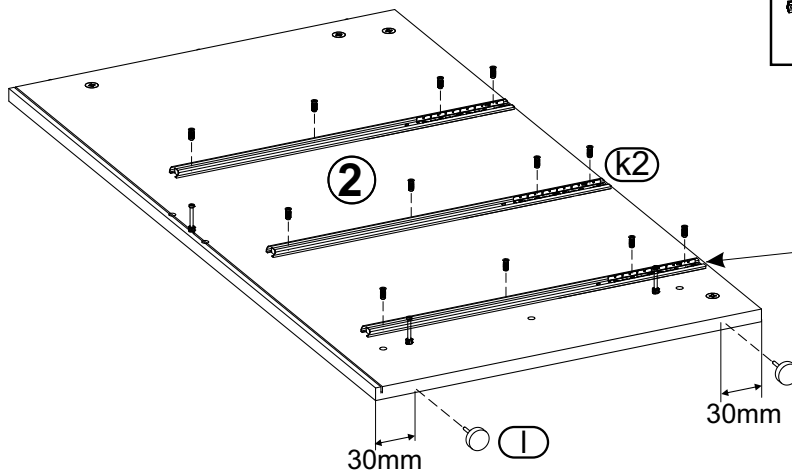


6

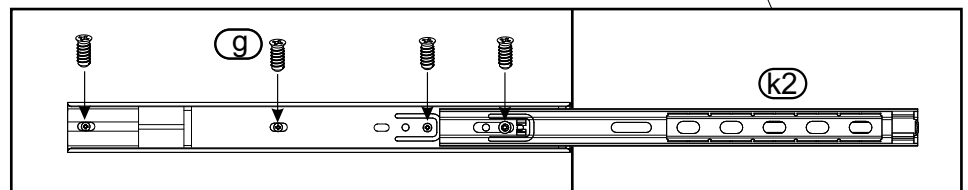


a ø8x35 x3	b 34mm x3	c ø15x12 x4
-----------------------------	----------------------------	------------------------------

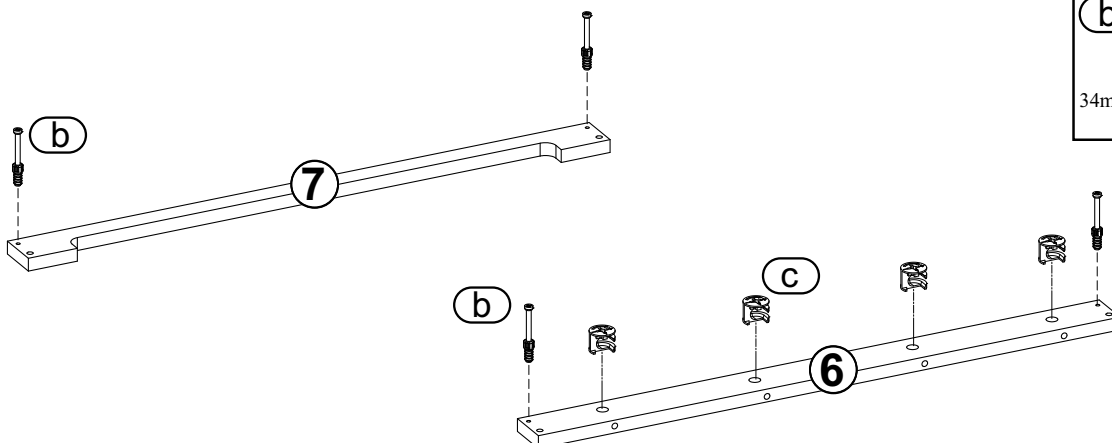
7



k2 400mm x3	g 6,3x13 x12	l ø15 x2
------------------------------	-------------------------------	---------------------------

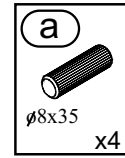
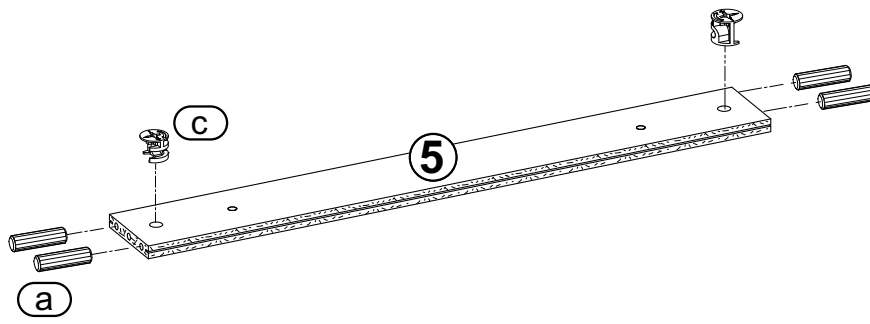


8

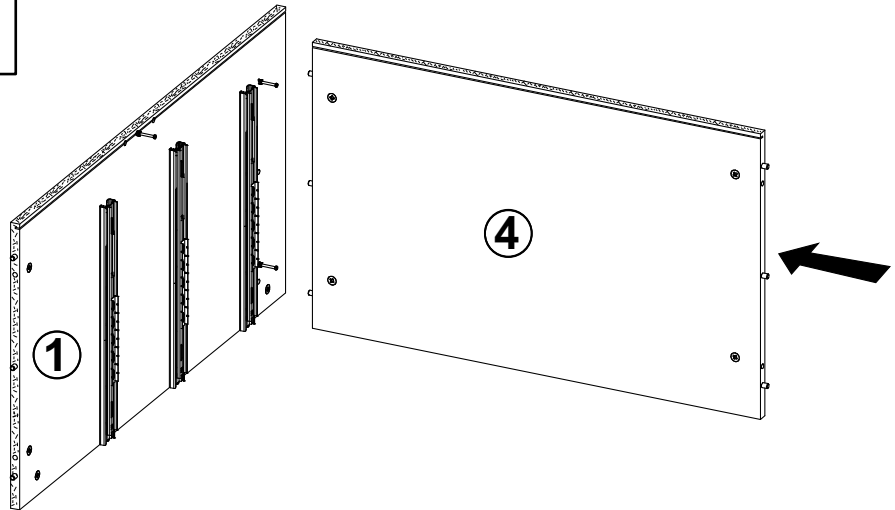
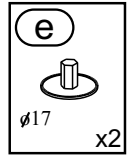
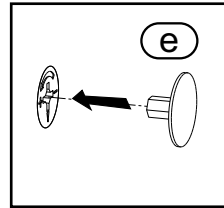
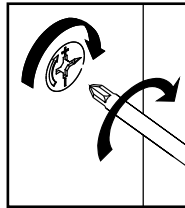
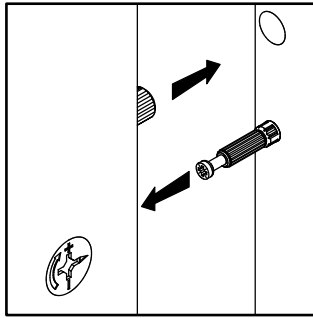


b 34mm x4	c ø15x12 x4
----------------------------	------------------------------

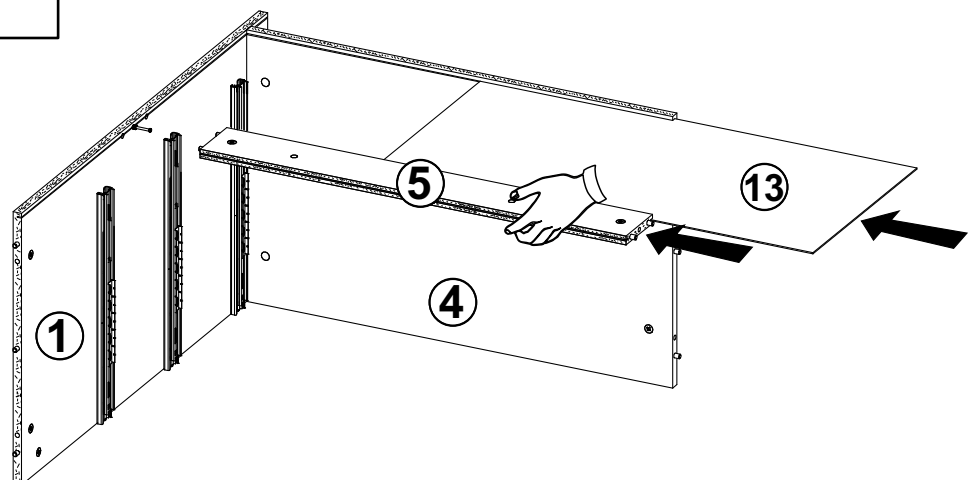
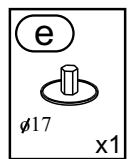
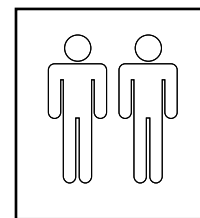
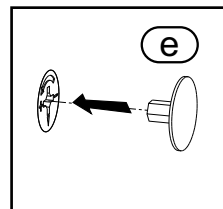
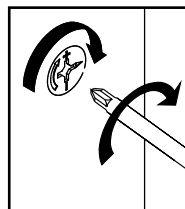
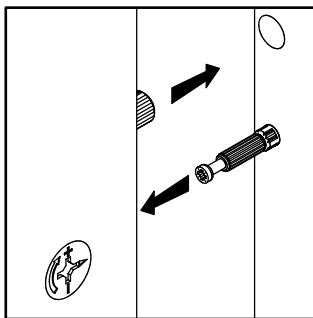
9



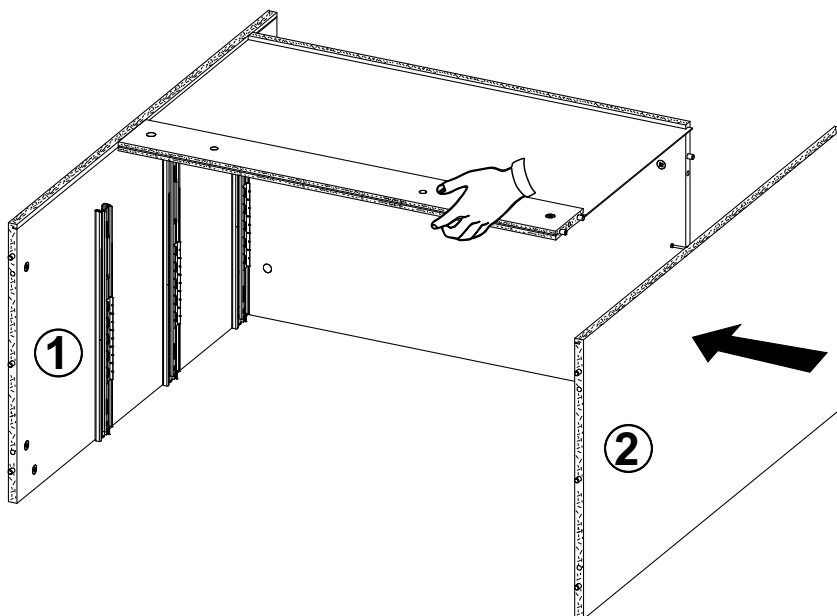
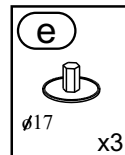
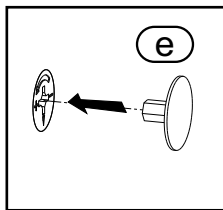
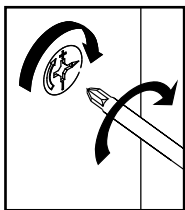
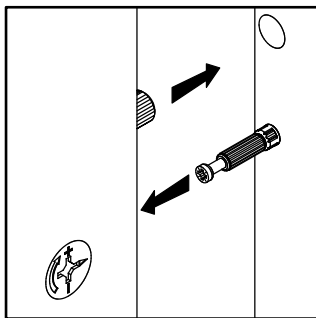
10



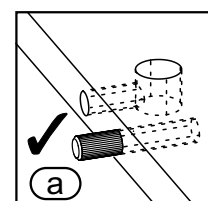
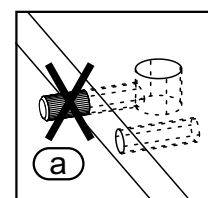
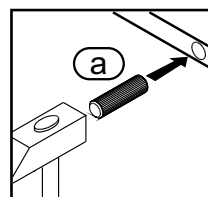
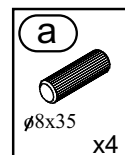
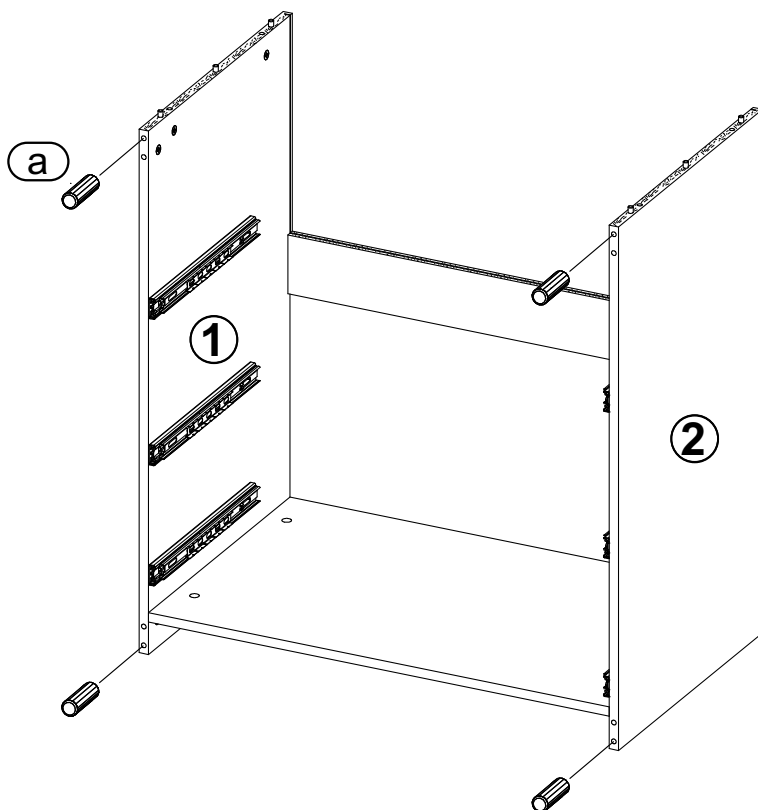
11



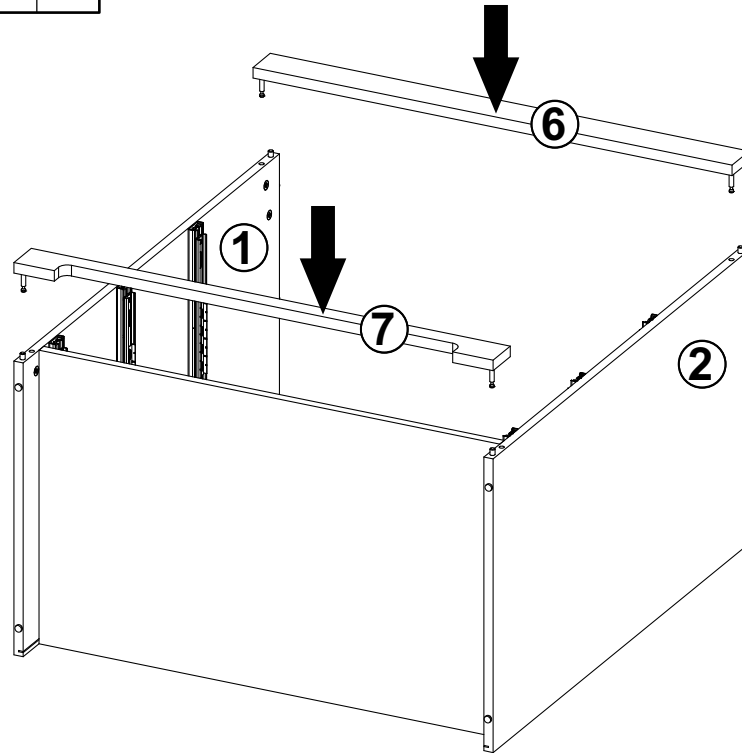
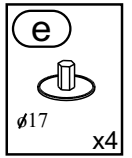
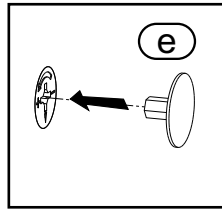
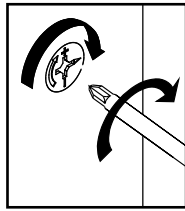
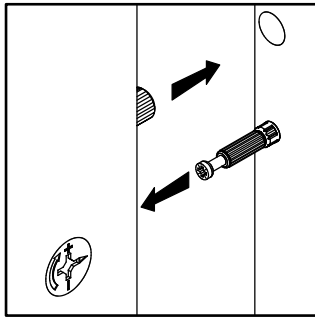
12



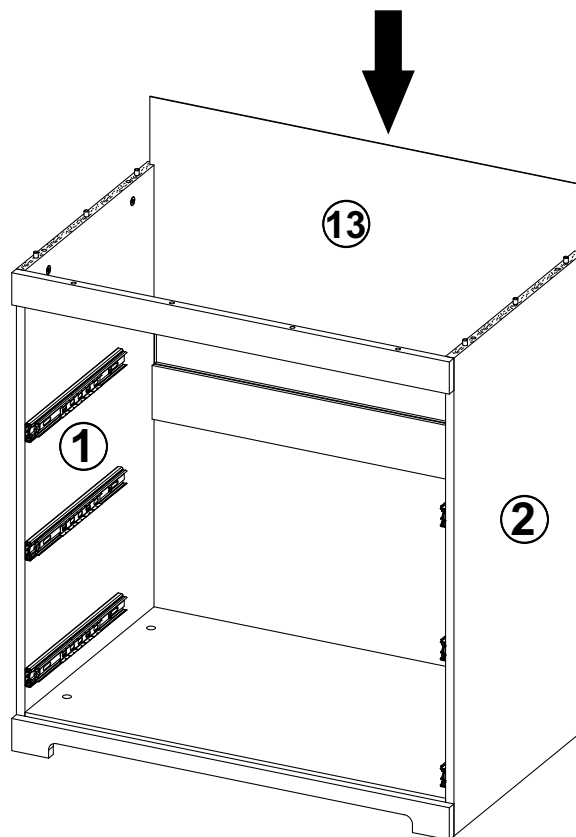
13



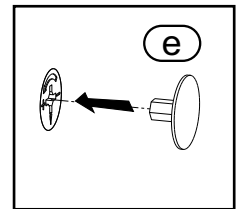
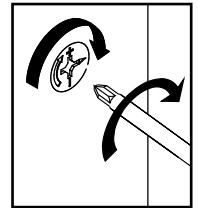
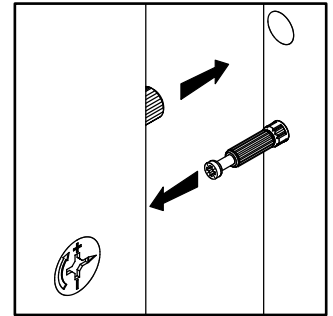
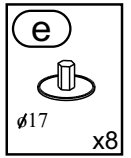
14



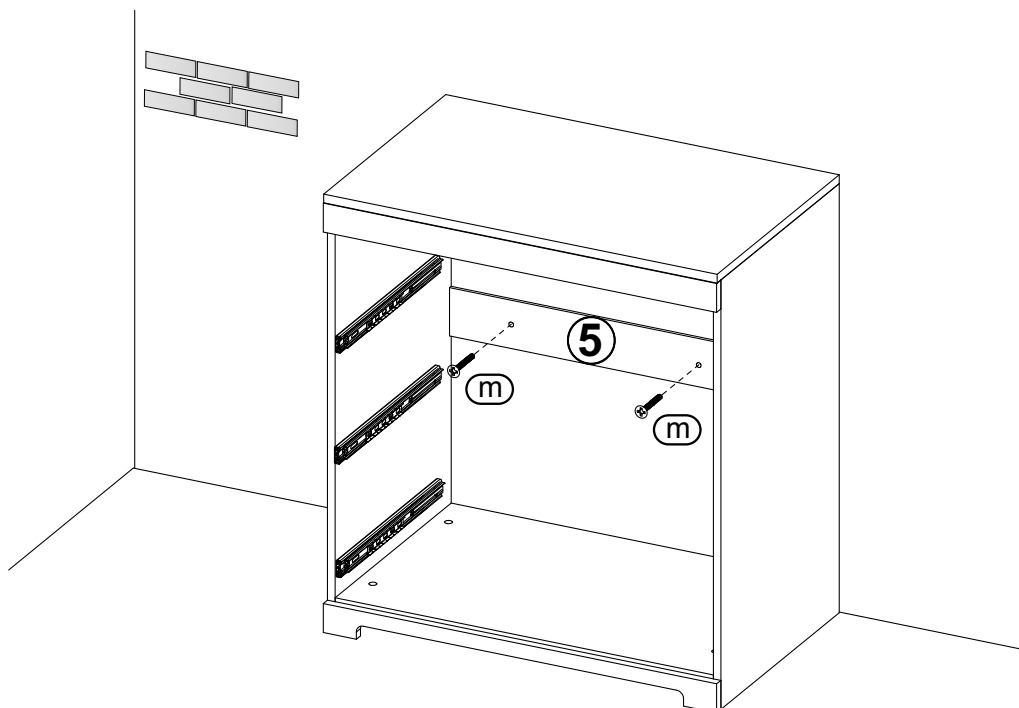
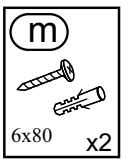
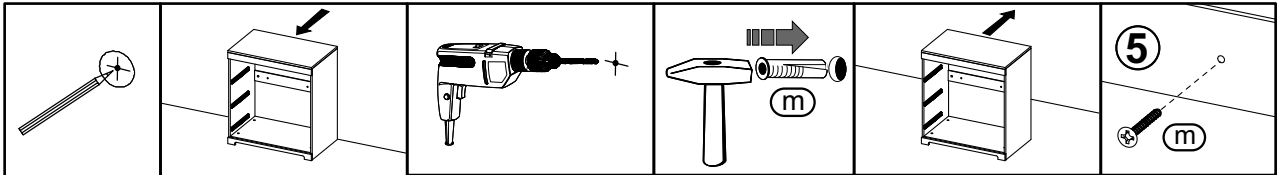
15



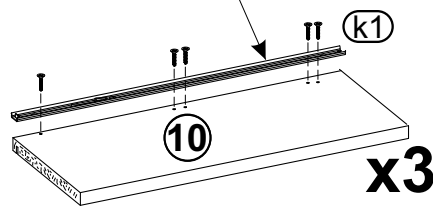
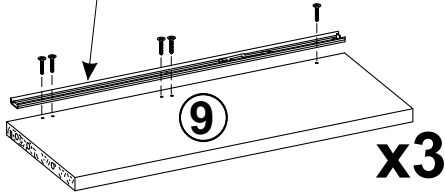
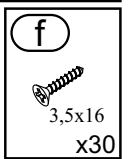
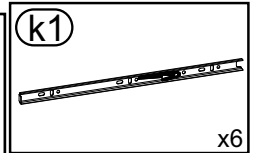
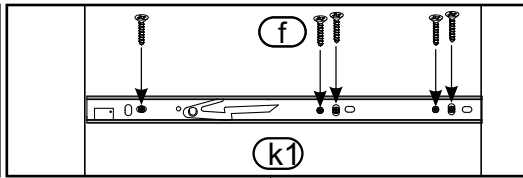
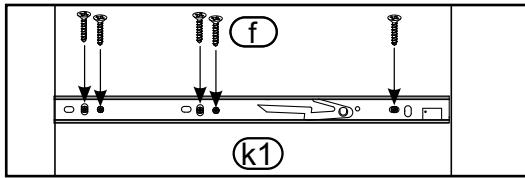
16



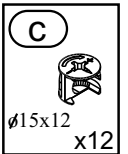
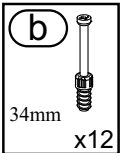
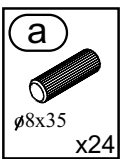
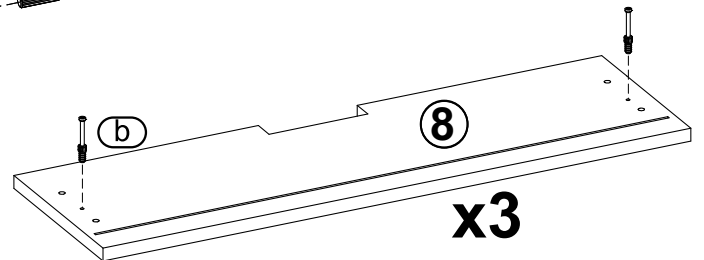
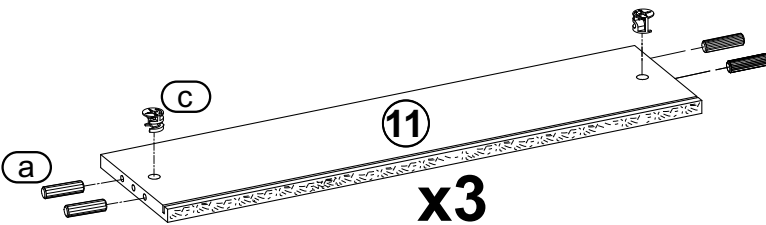
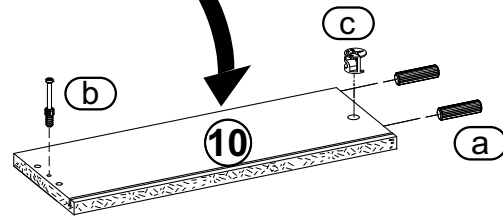
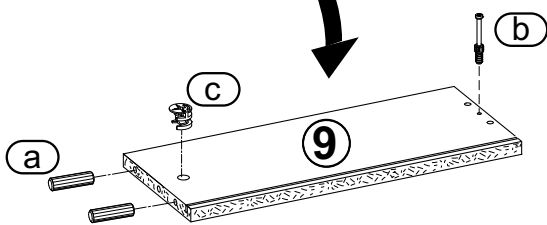
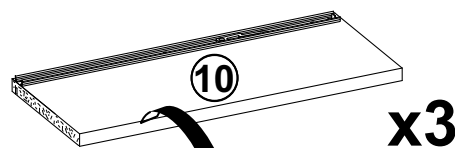
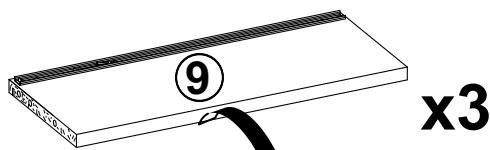
17



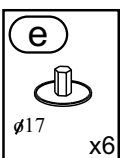
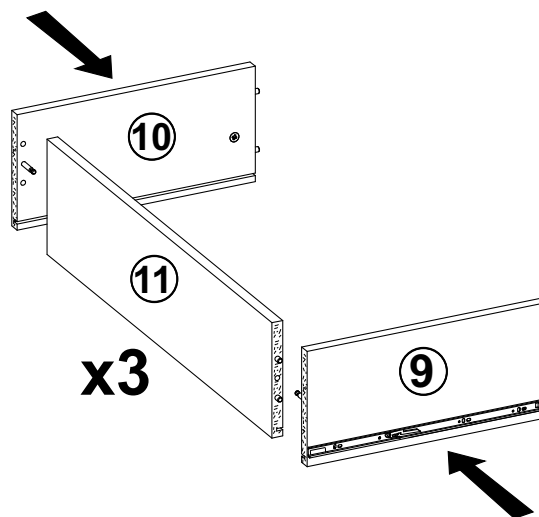
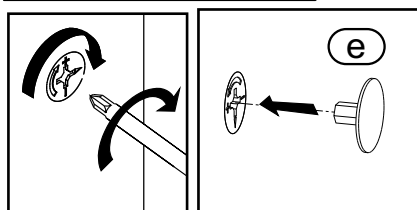
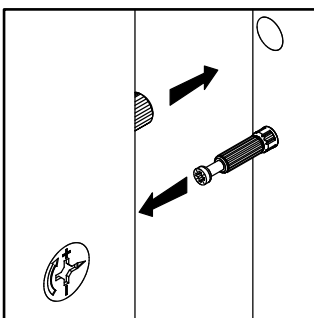
18



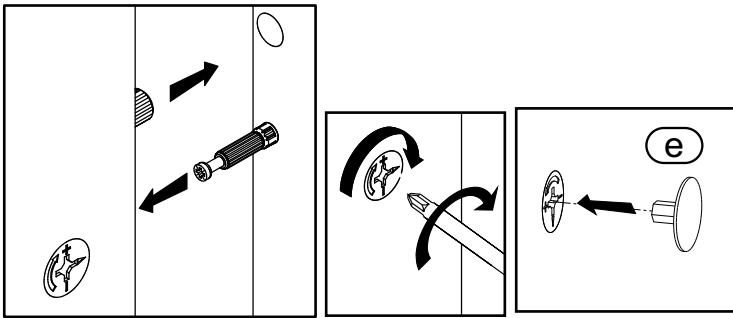
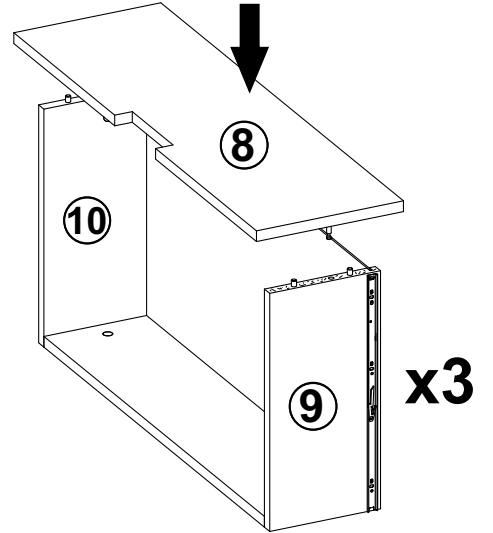
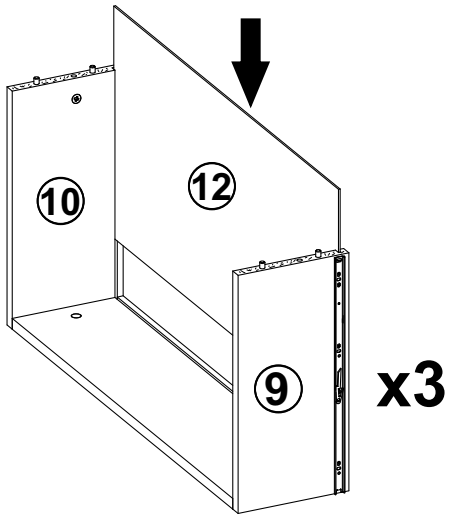
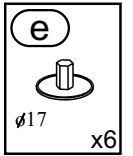
19



20



21



22

